

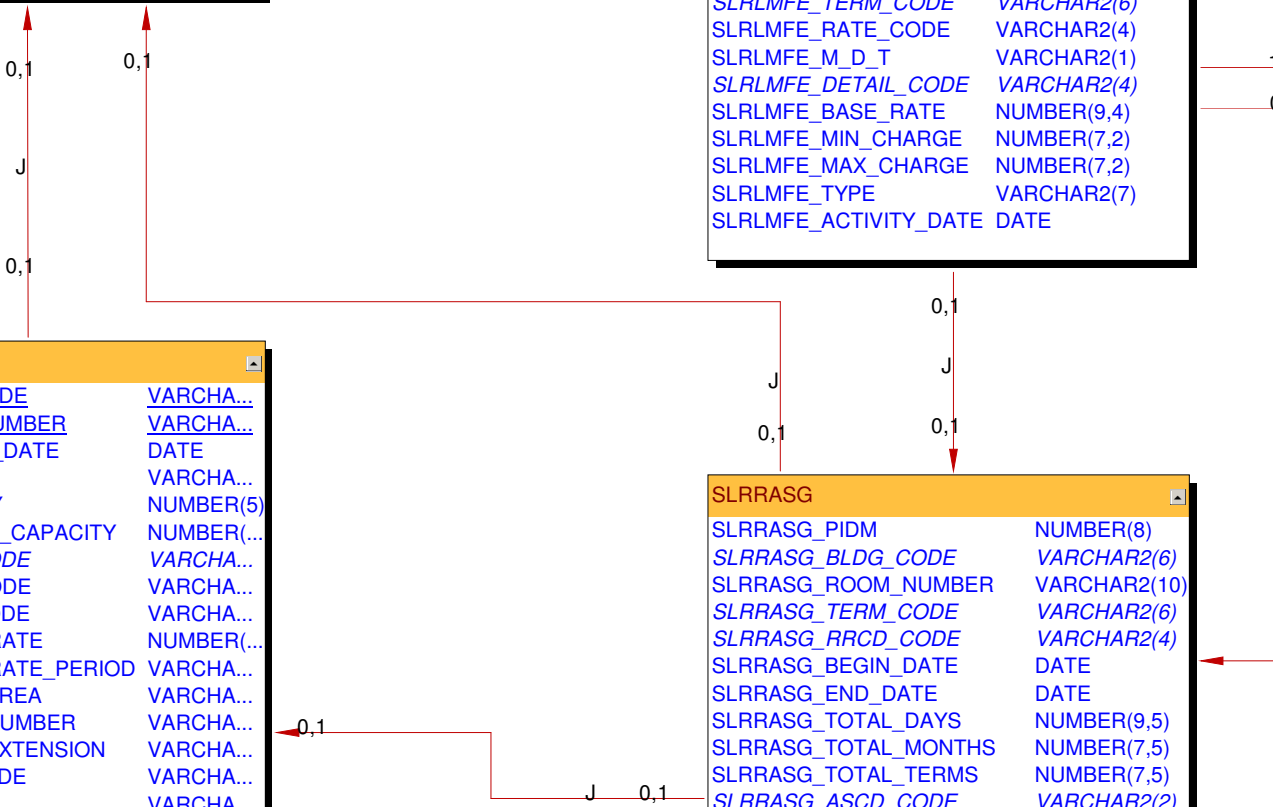
SLBBLDG	
<u>SLBBLDG_BLDG_CODE</u>	VARCHAR2...
SLBBLDG_CAMP_CODE	VARCHAR2...
SLBBLDG_CAPACITY	NUMBER(5)
SLBBLDG_MAXIMUM_CAPACITY	NUMBER(5)...
SLBBLDG_RRCD_CODE	VARCHAR2...
SLBBLDG_PRCD_CODE	VARCHAR2...
SLBBLDG_SITE_CODE	VARCHAR2...
SLBBLDG_STREET_LINE1	VARCHAR2...
SLBBLDG_STREET_LINE2	VARCHAR2...
SLBBLDG_STREET_LINE3	VARCHAR2...
SLBBLDG_CITY	VARCHAR2...
SLBBLDG_STAT_CODE	VARCHAR2...
SLBBLDG_ZIP	VARCHAR2...
SLBBLDG_CNTY_CODE	VARCHAR2...
SLBBLDG_PHONE_AREA	VARCHAR2...
SLBBLDG_PHONE_NUMBER	VARCHAR2...
SLBBLDG_PHONE_EXTENSION	VARCHAR2...
SLBBLDG_ACTIVITY_DATE	DATE
SLBBLDG_SEX	VARCHAR2...
SLBBLDG_COLL_CODE	VARCHAR2...
SLBBLDG_DEPT_CODE	VARCHAR2...
SLBBLDG_KEY_NUMBER	VARCHAR2...
<u>SLBBLDG_PARS_CODE</u>	VARCHAR2...
SLBBLDG_DATA_ORIGIN	VARCHAR2...
SLBBLDG_USER_ID	VARCHAR2...

SLRMASG	
SLRMASG_PIDM	NUMBER(8)
<u>SLRMASG_TERM_CODE</u>	VARCHAR2(6)
<u>SLRMASG_MRCD_CODE</u>	VARCHAR2(4)
SLRMASG_BEGIN_DATE	DATE
SLRMASG_END_DATE	DATE
SLRMASG_TOTAL_DAYS	NUMBER(9,5)
SLRMASG_TOTAL_MONTHS	NUMBER(7,5)
SLRMASG_TOTAL_TERMS	NUMBER(7,5)
<u>SLRMASG_MSCD_CODE</u>	VARCHAR2(2)
SLRMASG_MSCD_DATE	DATE
SLRMASG_ONL_OR_BAT	VARCHAR2(1)
SLRMASG_ACTIVITY_DATE	DATE
SLRMASG_AR_IND	VARCHAR2(1)
SLRMASG_ROLL_IND	VARCHAR2(1) ...
SLRMASG_ASSESS_NEED...	VARCHAR2(1)
SLRMASG_DATA_ORIGIN	VARCHAR2(30...
SLRMASG_USER_ID	VARCHAR2(30...

SLRLMFE	
<u>SLRLMFE_TERM_CODE</u>	VARCHAR2(6)
<u>SLRLMFE_RATE_CODE</u>	VARCHAR2(4)
SLRLMFE_M_D_T	VARCHAR2(1)
<u>SLRLMFE_DETAIL_CODE</u>	VARCHAR2(4)
SLRLMFE_BASE_RATE	NUMBER(9,4)
SLRLMFE_MIN_CHARGE	NUMBER(7,2)
SLRLMFE_MAX_CHARGE	NUMBER(7,2)
SLRLMFE_TYPE	VARCHAR2(7)
SLRLMFE_ACTIVITY_DATE	DATE

SLBRDEF	
<u>SLBRDEF_BLDG_CODE</u>	VARCHA...
<u>SLBRDEF_ROOM_NUMBER</u>	VARCHA...
SLBRDEF_ACTIVITY_DATE	DATE
SLBRDEF_DESC	VARCHA...
SLBRDEF_CAPACITY	NUMBER(5)
SLBRDEF_MAXIMUM_CAPACITY	NUMBER(...)
<u>SLBRDEF_RMST_CODE</u>	VARCHA...
SLBRDEF_RRCD_CODE	VARCHA...
SLBRDEF_PRCD_CODE	VARCHA...
SLBRDEF_UTILITY_RATE	NUMBER(...)
SLBRDEF_UTILITY_RATE_PERIOD	VARCHA...
SLBRDEF_PHONE_AREA	VARCHA...
SLBRDEF_PHONE_NUMBER	VARCHA...
SLBRDEF_PHONE_EXTENSION	VARCHA...
SLBRDEF_BCAT_CODE	VARCHA...
SLBRDEF_SEX	VARCHA...
SLBRDEF_ROOM_TYPE	VARCHA...
SLBRDEF_PRIORITY	VARCHA...
SLBRDEF_COLL_CODE	VARCHA...
SLBRDEF_DEPT_CODE	VARCHA...
SLBRDEF_KEY_NUMBER	VARCHA...
SLBRDEF_WIDTH	NUMBER(...)
SLBRDEF_LENGTH	NUMBER(...)
SLBRDEF_AREA	NUMBER(...)
<u>SLBRDEF_TERM_CODE_EFF</u>	VARCHA...
<u>SLBRDEF_PARS_CODE</u>	VARCHA...

SLRRASG	
SLRRASG_PIDM	NUMBER(8)
<u>SLRRASG_BLDG_CODE</u>	VARCHAR2(6)
<u>SLRRASG_ROOM_NUMBER</u>	VARCHAR2(10)
<u>SLRRASG_TERM_CODE</u>	VARCHAR2(6)
<u>SLRRASG_RRCD_CODE</u>	VARCHAR2(4)
SLRRASG_BEGIN_DATE	DATE
SLRRASG_END_DATE	DATE
SLRRASG_TOTAL_DAYS	NUMBER(9,5)
SLRRASG_TOTAL_MONTHS	NUMBER(7,5)
SLRRASG_TOTAL_TERMS	NUMBER(7,5)
<u>SLRRASG_ASCD_CODE</u>	VARCHAR2(2)
SLRRASG_ASCD_DATE	DATE
SLRRASG_ONL_OR_BAT	VARCHAR2(1)
SLRRASG_ACTIVITY_DATE	DATE
SLRRASG_AR_IND	VARCHAR2(1)
SLRRASG_OVERLOAD_IND	VARCHAR2(1)...
SLRRASG_ROLL_IND	VARCHAR2(1)...
SLRRASG_OVERRIDE_ERROR	VARCHAR2(1)...
SLRRASG_ASSESS_NEEDED	VARCHAR2(1)
SLRRASG_DATA_ORIGIN	VARCHAR2(3)...
SLRRASG_USER_ID	VARCHAR2(3)...

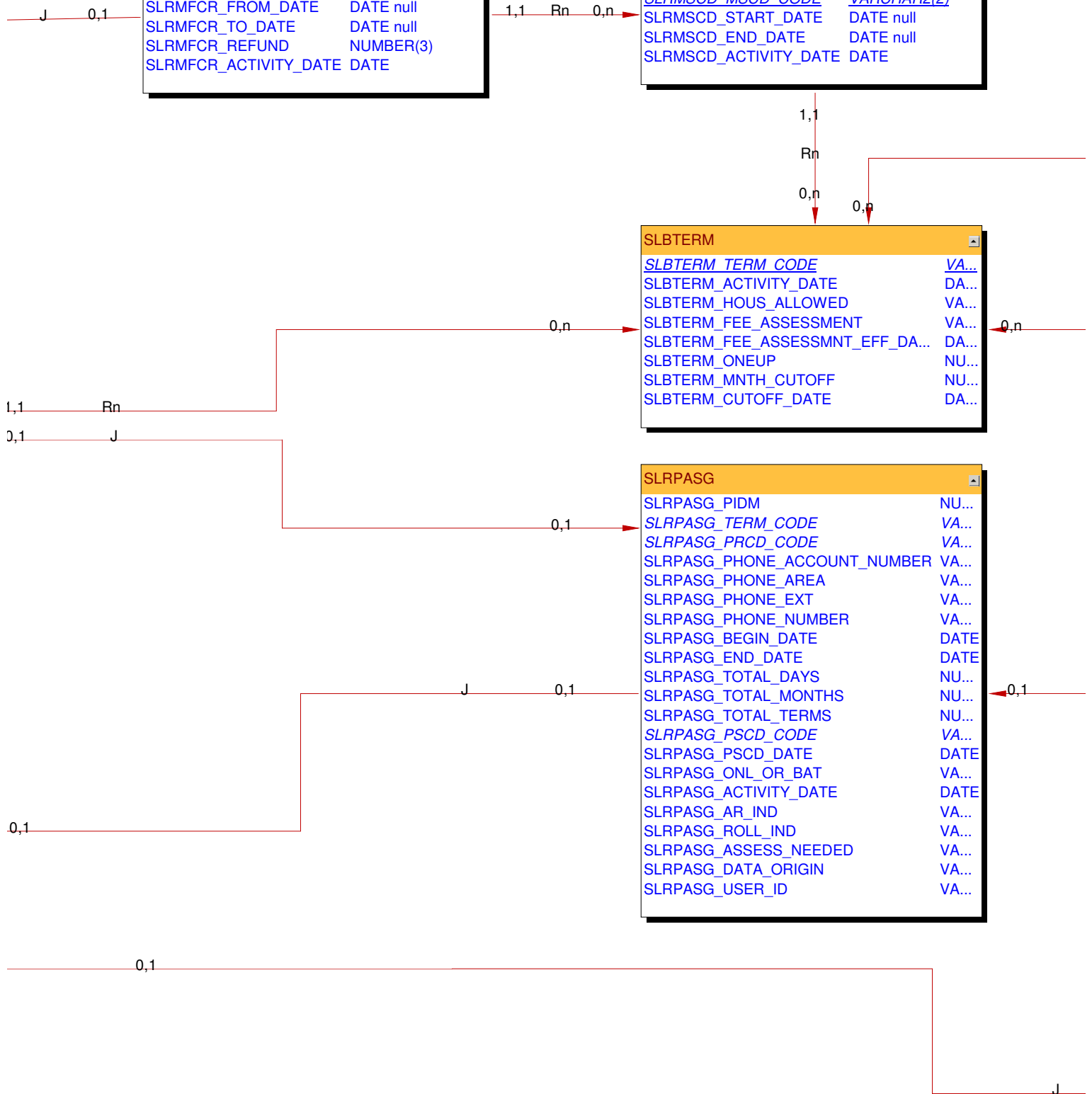


SLRMFCR	
SLRMFCR_TERM_CODE	VARCHAR2(6)
SLRMFCR_MSCD_CODE	VARCHAR2(2)
SLRMFCR_FROM_DATE	DATE null
SLRMFCR_TO_DATE	DATE null
SLRMFCR_REFUND	NUMBER(3)
SLRMFCR_ACTIVITY_DATE	DATE

SLRMSCD	
SLRMSCD_TERM_CODE	VARCHAR2(6)
SLRMSCD_MSCD_CODE	VARCHAR2(2)
SLRMSCD_START_DATE	DATE null
SLRMSCD_END_DATE	DATE null
SLRMSCD_ACTIVITY_DATE	DATE

SLBTERM	
SLBTERM_TERM_CODE	VA...
SLBTERM_ACTIVITY_DATE	DA...
SLBTERM_HOUS_ALLOWED	VA...
SLBTERM_FEE_ASSESSMENT	VA...
SLBTERM_FEE_ASSESSMNT_EFF_DA...	DA...
SLBTERM_ONEUP	NU...
SLBTERM_MNTH_CUTOFF	NU...
SLBTERM_CUTOFF_DATE	DA...

SLRPASG	
SLRPASG_PIDM	NU...
SLRPASG_TERM_CODE	VA...
SLRPASG_PRCO_CODE	VA...
SLRPASG_PHONE_ACCOUNT_NUMBER	VA...
SLRPASG_PHONE_AREA	VA...
SLRPASG_PHONE_EXT	VA...
SLRPASG_PHONE_NUMBER	VA...
SLRPASG_BEGIN_DATE	DATE
SLRPASG_END_DATE	DATE
SLRPASG_TOTAL_DAYS	NU...
SLRPASG_TOTAL_MONTHS	NU...
SLRPASG_TOTAL_TERMS	NU...
SLRPASG_PSCD_CODE	VA...
SLRPASG_PSCD_DATE	DATE
SLRPASG_ONL_OR_BAT	VA...
SLRPASG_ACTIVITY_DATE	DATE
SLRPASG_AR_IND	VA...
SLRPASG_ROLL_IND	VA...
SLRPASG_ASSESS_NEEDED	VA...
SLRPASG_DATA_ORIGIN	VA...
SLRPASG_USER_ID	VA...



SLRPSCD	
<u>SLRPSCD_TERM_CODE</u>	<u>VARCHAR2(6)</u>
<u>SLRPSCD_PSCD_CODE</u>	<u>VARCHAR2(2)</u>
SLRPSCD_START_DATE	DATE null
SLRPSCD_END_DATE	DATE null
SLRPSCD_ACTIVITY_DATE	DATE

SLBEVNT	
<u>SLBEVNT_CRN</u>	<u>VARCHAR2(5)</u>
SLBEVNT_ETYP_CODE	VARCHAR2(4)
SLBEVNT_DESC	VARCHAR2(30) ...
SLBEVNT_AGENCY_PIDM	NUMBER(8) null
SLBEVNT_CONTACT_NAME	VARCHAR2(35) ...
SLBEVNT_CAMP_CODE	VARCHAR2(3) null
SLBEVNT_SITE_CODE	VARCHAR2(3) null
SLBEVNT_COLL_CODE	VARCHAR2(2) null
SLBEVNT_DEPT_CODE	VARCHAR2(4) null
SLBEVNT_ACTIVITY_DATE	DATE null
SLBEVNT_PHONE_AREA	VARCHAR2(3) null
SLBEVNT_PHONE	VARCHAR2(7) null
SLBEVNT_PHONE_EXT	VARCHAR2(4) null
SLBEVNT_CONTACT_PIDM	NUMBER(8) null
SLBEVNT_ATYP_CODE	VARCHAR2(2) null
SLBEVNT_SYSI_CODE	VARCHAR2(2) null
SLBEVNT_COMM_IND	VARCHAR2(1)
SLBEVNT_DICD_CODE	VARCHAR2(3) null

SLRPFCR	
<u>SLRPFCR_TERM_CODE</u>	<u>VARCHAR2(6)</u>
<u>SLRPFCR_PSCD_CODE</u>	<u>VARCHAR2(2)</u>
SLRPFCR_FROM_DATE	DATE null
SLRPFCR_TO_DATE	DATE null
SLRPFCR_REFUND	NUMBER(3)
SLRPFCR_ACTIVITY_DATE	DATE

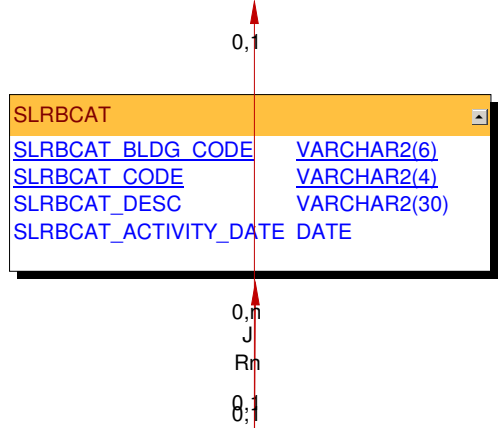
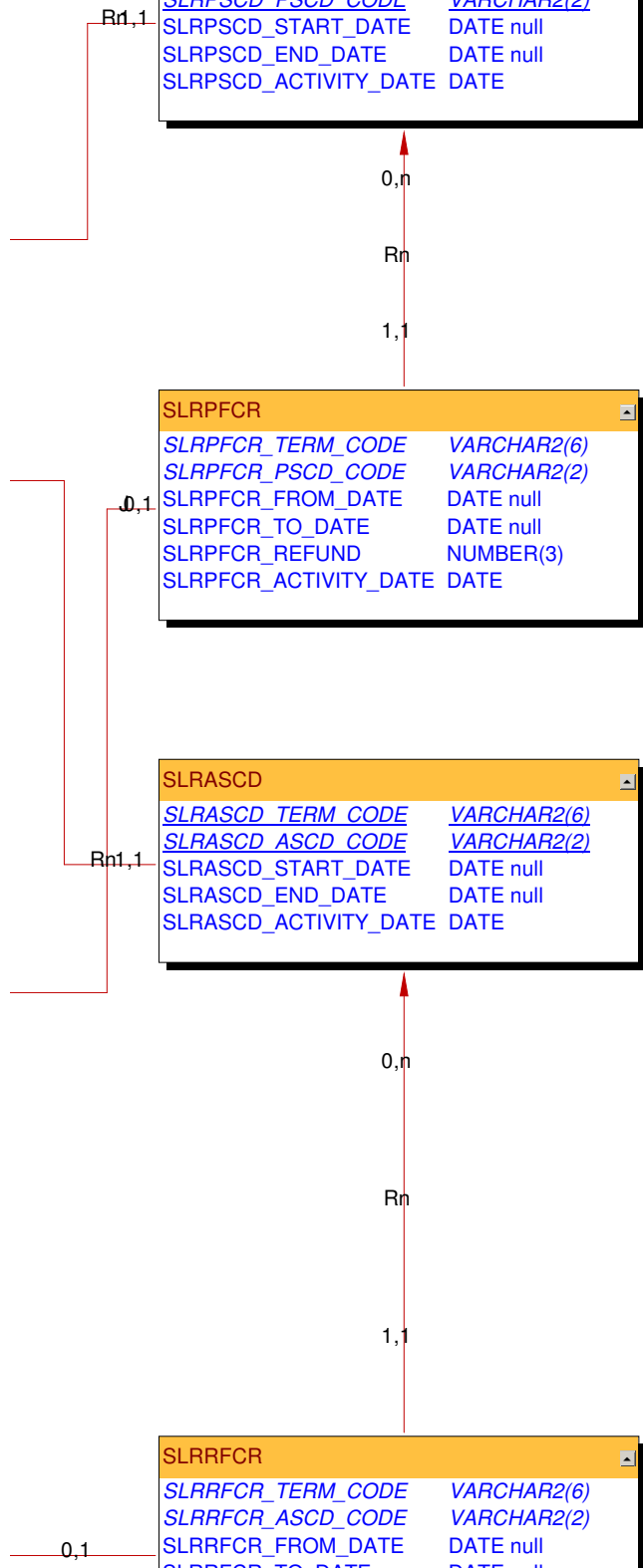
SLRRMAT	
<u>SLRRMAT_TERM_CODE</u>	<u>VARCHAR2(6)</u>
<u>SLRRMAT_ONEUP</u>	<u>VARCHAR2(5)</u>
<u>SLRRMAT_PIDM</u>	<u>NUMBER(8)</u>
SLRRMAT_ACCEPT_IND	VARCHAR2(1) null
SLRRMAT_ACTIVITY_DATE	DATE
SLRRMAT_DATA_ORIGIN	VARCHAR2(30) n...
SLRRMAT_USER_ID	VARCHAR2(30) n...

SLRASCD	
<u>SLRASCD_TERM_CODE</u>	<u>VARCHAR2(6)</u>
<u>SLRASCD_ASCD_CODE</u>	<u>VARCHAR2(2)</u>
SLRASCD_START_DATE	DATE null
SLRASCD_END_DATE	DATE null
SLRASCD_ACTIVITY_DATE	DATE

SLRBCAT	
<u>SLRBCAT_BLDG_CODE</u>	<u>VARCHAR2(6)</u>
<u>SLRBCAT_CODE</u>	<u>VARCHAR2(4)</u>
SLRBCAT_DESC	VARCHAR2(30)
SLRBCAT_ACTIVITY_DATE	DATE

SLRRFCR	
<u>SLRRFCR_TERM_CODE</u>	<u>VARCHAR2(6)</u>
<u>SLRRFCR_ASCD_CODE</u>	<u>VARCHAR2(2)</u>
SLRRFCR_FROM_DATE	DATE null
SLRRFCR_TO_DATE	DATE null
SLRRFCR_REFUND	NUMBER(3)
SLRRFCR_ACTIVITY_DATE	DATE

SLBRMAP	
<u>SLBRMAP_PIDM</u>	<u>NUMB...</u>
SLBRMAP_ACTIVITY_DATE	DATE
<u>SLBRMAP_ARTP_CODE</u>	<u>VARCH...</u>
<u>SLBRMAP_FROM_TERM</u>	<u>VARCH...</u>
<u>SLBRMAP_TO_TERM</u>	<u>VARCH...</u>
SLBRMAP_APPL_PRIORITY	VARCH...
<u>SLBRMAP_PREFERED_BUILDING</u>	<u>VARCH...</u>
SLBRMAP_PREFERED_ROOM	VARCH...
<u>SLBRMAP_PREFERED_BCAT_CODE</u>	<u>VARCH...</u>
<u>SLBRMAP_PREFERED_CAMP_CODE</u>	<u>VARCH...</u>
<u>SLBRMAP_MRCD_CODE</u>	<u>VARCH...</u>
SLBRMAP_PR_PIDM	NUMB...
SLBRMAP_CONFID_IND	VARCH...
<u>SLBRMAP_HAPS_CODE</u>	<u>VARCH...</u>
SLBRMAP_HAPS_DATE	DATE n...
SLBRMAP_ADD_DATE	DATE n...
SLBRMAP_DATA_ORIGIN	VARCH...
SLBRMAP_USER_ID	VARCH...



SLRTASG	
<u>SLRTASG_TERM_CODE</u>	VARCHAR2(6)
SLRTASG_PIDM	NUMBER(8)
SLRTASG_PRIORITY	VARCHAR2(8) null
<u>SLRTASG_BLDG_CODE</u>	VARCHAR2(6) null
SLRTASG_ROOM_NUMB...	VARCHAR2(10) ...
SLRTASG_BCAT_CODE	VARCHAR2(8) null
<u>SLRTASG_CAMP_CODE</u>	VARCHAR2(3) null
SLRTASG_ONEUP	VARCHAR2(5) null
SLRTASG_RMATE_OK	VARCHAR2(1) null
SLRTASG_MESSAGE	VARCHAR2(45) ...
SLRTASG_MESSAGE_SEQ	NUMBER(2) null

SLRRMDF	
<u>SLRRMDF_TERM_CODE</u>	VARCHAR2(6)
<u>SLRRMDF_ONEUP</u>	VARCHAR2(5)
<u>SLRRMDF_RDEF_CODE</u>	VARCHAR2(4)
SLRRMDF_MUST_MATCH	VARCHAR2(1) null
SLRRMDF_ACTIVITY_DATE	DATE

SLRPREQ	
SLRPREQ_PIDM	NUMBER(8)
<u>SLRPREQ_TERM_CODE</u>	VARCHAR2(6)
<u>SLRPREQ_RDEF_CODE</u>	VARCHAR2(4)
SLRPREQ_MUST_MATCH	VARCHAR2(1) null
SLRPREQ_ACTIVITY_DATE	DATE

SLRRUSE	
SLRRUSE_BLDG_CODE	VARCHAR2(6)
SLRRUSE_ROOM_NUMBER	VARCHAR2(10)
SLRRUSE_START_DATE	DATE
SLRRUSE_END_DATE	DATE null
SLRRUSE_ACTIVITY_DATE	DATE
SLRRUSE_BEGIN_TIME	VARCHAR2(4) null
SLRRUSE_END_TIME	VARCHAR2(4) null
SLRRUSE_SUN_DAY	VARCHAR2(1) null
SLRRUSE_MON_DAY	VARCHAR2(1) null
SLRRUSE_TUE_DAY	VARCHAR2(1) null
SLRRUSE_WED_DAY	VARCHAR2(1) null
SLRRUSE_THU_DAY	VARCHAR2(1) null
SLRRUSE_FRI_DAY	VARCHAR2(1) null
SLRRUSE_SAT_DAY	VARCHAR2(1) null

SLRCMNT	
<u>SLRCMNT_BLDG_CODE</u>	VARCHAR2(6)
<u>SLRCMNT_ROOM_NUMBER</u>	VARCHAR2(10)
SLRCMNT_COMMENTS	VARCHAR2(60)
<u>SLRCMNT_SEQNO</u>	NUMBER(23,20)
SLRCMNT_ACTIVITY_DATE	DATE
<u>SLRCMNT_TERM_CODE EFF</u>	VARCHAR2(6)

SLRRDEF	
<u>SLRRDEF_BLDG_CODE</u>	VARCHAR2(6)
<u>SLRRDEF_ROOM_NUMBER</u>	VARCHAR2(10)
<u>SLRRDEF_RDEF_CODE</u>	VARCHAR2(4)
SLRRDEF_MUST_MATCH	VARCHAR2(1) ...
SLRRDEF_ACTIVITY_DATE	DATE
<u>SLRRDEF_TERM_CODE EFF</u>	VARCHAR2(6)
SLRRDEF_DATA_ORIGIN	VARCHAR2(30)...
SLRRDEF_USER_ID	VARCHAR2(30)...

SLBRMPF	
<u>SLBRMPF_TERM_CODE</u>	VARCHAR2(6)
<u>SLBRMPF_ONEUP</u>	VARCHAR2(5)
<u>SLBRMPF_CAMP_CODE</u>	VARCHAR2(3) null
<u>SLBRMPF_BLDG_CODE</u>	VARCHAR2(6) null
SLBRMPF_BCAT_CODE	VARCHAR2(8) null
SLBRMPF_ROOM_NUMB...	VARCHAR2(10) ...
SLBRMPF_ACTIVITY_DATE	DATE

SLRCOLC	
<u>SLRCOLC_SESSIONID</u>	VARCHAR2(10)
<u>SLRCOLC_RDEF_CODE</u>	VARCHAR2(4)

SLRECMT	
SLRECMT_CRN	VARCHAR2(6)
SLRECMT_SEQNO	NUMBER(23,20)
SLRECMT_COMMENTS	VARCHAR2(60)
SLRECMT_ACTIVITY_DATE	DATE

SLRDCOL	
SLRDCOL_SESSIONID	VARCHAR2(10)
SLRDCOL_PIDM	NUMBER(8)
<u>SLRDCOL_RDEF_CODE</u>	VARCHAR2(4) null

SLRCOLR	
<u>SLRCOLR_SESSIONID</u>	VARCHAR2(30)
<u>SLRCOLR_TERM_CODE</u>	VARCHAR2(6)
<u>SLRCOLR_PIDM</u>	VARCHAR2(8)
SLRCOLR_ACTIVITY_DATE	DATE

SLRBCMT	
SLRBCMT_BLDG_CODE	VARCHAR2(6)
SLRBCMT_SEQNO	NUMBER(23,20)
SLRBCMT_COMMENTS	VARCHAR2(60)
SLRBCMT_ACTIVITY_DATE	DATE

SLRBDEF	
<u>SLRBDEF_BLDG_CODE</u>	VARCHAR2(6)
<u>SLRBDEF_RDEF_CODE</u>	VARCHAR2(5)
<u>SLRBDEF_ACTIVITY_DATE</u>	DATE

SLTFTRN	
SLTFTRN_PIDM	NUMBER(8)
SLTFTRN_TERM_CODE	VARCHAR2(6)
SLTFTRN_DETAIL_CODE	VARCHAR2(4)
SLTFTRN_EFF_DATE	DATE
SLTFTRN_SRCE_CODE	VARCHAR2(1)
SLTFTRN_AMOUNT	NUMBER(12,2)