



# EMERGENCY EYEWASH STATION AND SAFETY SHOWER GUIDELINES

## Contents

1	Introduction .....	2
2	Purpose .....	2
3	Definitions .....	2
4	Roles & Responsibilities.....	3
4.1	Facilities Management .....	3
4.1.1	FMD Construction Services.....	3
4.1.2	FMD Maintenance Services.....	3
4.2	WHS Unit.....	3
4.3	Deans, Directors, Heads and Managers of Units and WACs .....	3
4.4	Laboratory / Workshop supervisor.....	3
4.5	Workers / Students .....	4
5	Types of system .....	4
5.1	Safety showers .....	4
5.2	Eyewash and eye/facewash stations .....	4
5.3	Combination units .....	5
5.4	Drench hoses .....	5
5.5	Eyewash bottles.....	5
6	Training .....	5
7	Responsibility and frequency of testing.....	6
7.1	Routine inspection.....	6
7.2	Flow testing.....	6
8	Local routine inspection and testing .....	6
8.1	Procedure .....	6
8.2	Equipment required.....	7
8.3	Routine inspection checklist.....	7
8.3.1	Safety showers .....	7
8.3.2	Eyewash units .....	8
8.3.3	Drench hose units.....	8
8.3.4	Combination units .....	8
8.4	Recording inspection results .....	8
8.5	Failure .....	8
9	Annual flow rate testing.....	8
9.1	Actuator valves.....	8
9.2	Fittings .....	9
9.2.1	Flushing water.....	9
9.2.2	Minimum flow rates.....	9
9.2.3	Flushing pattern .....	9
9.2.4	Signage .....	10
10	Related documents and references.....	10
11	Version control table .....	10
	Appendix 1: Testing Checklist for an Individual Safety Shower - Example .....	11
	Appendix 2: Testing Checklist for an Individual Eyewash Station - Example .....	12
	Appendix 3: Testing Checklist for Multiple Safety Showers and Eyewash Stations - Example .....	13
	Appendix 4: Annual Testing Minimum Performance Criteria/Checklist .....	14

## 1 Introduction

It is the policy of the University of Wollongong that all workers and others exercise appropriate precautions to ensure eye, face, and body protection. When there is a reasonable likelihood of a hazardous or injurious eye, face and/or body exposure, all workers and students are required to utilise approved and appropriate protective eye, face and body equipment. Emergency showers and eyewash stations provide on-the-spot decontamination. They are designed to flush away hazardous chemicals from a user's eyes, face or body that can cause injury. As such, they are a form of first aid equipment to be used in the event of an accident. However, they are not a substitute for primary protective devices (including eye and face protection and protective clothing) or for safe procedures for handling hazardous materials.

Having emergency equipment installed is not a sufficient means of assuring safety. Workers and students must be trained in the location of emergency equipment and in its proper use (refer section 6 Training).

Emergency equipment must be maintained, including regular scheduled activation of the equipment, to ensure that it is in working order and inspected annually for compliance with the Australian Standard 4775-2007 *Emergency eyewash and shower equipment*.

Most importantly, workers and others should develop a response plan to be used in the event that an accident does occur. The focus of the response plan should be to provide assistance to the injured person as quickly as possible.



The first 10 to 15 seconds after exposure to a hazardous substance, especially a corrosive substance, are critical. Delaying treatment, even for a few seconds, may cause serious injury.

## 2 Purpose

The purpose of these guidelines is to outline the requirements for the inspection, use and maintenance of emergency safety showers and eyewash stations.

These guidelines apply to all emergency safety showers and eyewash stations throughout the University.

## 3 Definitions

<i>Combination unit</i>	An interconnected assembly of emergency equipment supplied by a single source of flushing fluid.
<i>Drench hose</i>	A supplemental device consisting of a flexible hose connected to a flushing fluid supply and used to provide fluid to irrigate and flush face and body areas.
<i>Emergency shower</i>	A device specifically designed and intended to deliver flushing fluid in sufficient volume to cause that fluid to cascade over the entire body.
<i>Eye/face wash</i>	A device specifically designed and intended to deliver flushing fluid in sufficient volume to irrigate and flush both the face and the eyes simultaneously.
<i>Eyewash</i>	A device specifically designed and intended to deliver flushing fluid in sufficient volume to irrigate and flush the eyes.
<i>Facilities Management</i>	Shall mean the Facilities Management Division (FMD) for the Wollongong Campus and the EIS Research and Development Facility at Russell Vale, and Resolve FM for Innovation Campus.
<i>SDS</i>	Safety Data Sheet
<i>Self-contained eyewash</i>	An eyewash device that contains its own flushing fluid and needs to be refilled or replaced after use.
<i>Stay-open valve</i>	A valve that needs to be closed manually by the user.
<i>Tepid</i>	Moderately warm, lukewarm.

**NOTE:** There is no medically or industry accepted specification for the temperature range of fluids that may be defined as tepid. The term is used to allow the acceptable temperature range for a particular workplace environment to be decided based on factors such as the geographic location of the equipment, the location of the equipment within the facility and the types of hazardous materials to which the person may be exposed. A recommended temperature range for tepid fluids is 15.6°C to 37.8°C.

## 4 Roles & Responsibilities

### 4.1 Facilities Management

#### 4.1.1 FMD Construction Services

- Ensure that where new buildings or renovations require the installation of emergency safety showers and eyewash stations, they are compliant with AS 4775-2007 Emergency eyewash and shower equipment including:
  - Ensure that suitable means for flushing and quick drenching of the eyes and body must be provided in any area where corrosive materials are used. The standard does not include any provisions regarding the disposal of waste water. However, designers must give consideration to where waste water will go. In particular, care must be taken that waste water not create a hazard (i.e. by creating a pool in which someone might slip).
  - Ensure safety units are located on the same level within 10 seconds of the hazard or work areas. For where strong acids or bases are used, the safety unit must be adjacent to the hazard, and an additional unit may be required outside the hazardous area. AS 2982:2010 Laboratory design and construction requires that, "At least one safety shower and eyewash or eye/face wash facility shall be installed, in each laboratory where hazardous substances are used".
  - Ensure eye/face wash outlet is 838 to 1143 mm (33 to 45 inches) from the surface on which the user stands and 153 mm from the wall or nearest obstruction.
  - Ensure combination unit components comply with the individual performance requirements of be capable of operating simultaneously and shall be positioned so that components may be used simultaneously by the same user.

#### 4.1.2 FMD Maintenance Services

- Ensure safety showers and eyewash units function in accordance with AS4775 and ANSI Z358.1
- Conduct annual flow rate testing and compliance assessment for each emergency unit at the University.
- Maintain documentation of all annual flow rate testing.
- Submit work orders in BEIMS if units not compliant with annual testing
- Maintain a master map of locations & types of all emergency showers and eyewash stations and work with WHS Unit to maintain an accurate inventory of these units.
- Liaise with faculty/school to establish a convenient time for inspections and ensure that plumber complies with any restrictions that may be in place covering laboratory operations where the units are located
- Strive to ensure that each unit is appropriately tagged for documentation of location and testing requirements.

### 4.2 WHS Unit

- Provide general oversight of this program.
- Conduct audits of program compliance and report status.
- Maintain a list of departmental representatives assigned to inspect units and work with Facilities Management to maintain an accurate inventory of these units.
- Areas for improvement should be identified by WACs and safety audits

### 4.3 Deans, Directors, Heads and Managers of Units and WACs

- Ensure that all safety showers and eyewash facilities within their area of responsibility are routinely inspected and tested as per the [Managing the Risk of Plant Guidelines](#).
- Complete and lodge hazard/incident reports when required
- Ensure all workers and students subject to exposure to hazardous material are instructed in use of emergency equipment.

### 4.4 Laboratory / Workshop supervisor

- Ensure safety shower and eyewash units are routinely checked in accordance with these guidelines
- Ensure that the emergency units are clear of obstructions and within 10 seconds of hazards
- Ensure students and workers are inducted in the location and use of safety showers and eyewash stations
- Notify the Facility Management of non-compliance for BEIMS submission
- If the shower/eyewash station is defective, tag as "Out of Service" and report to Facilities Management who are responsible for organising repairs
- Report any hazard/incident using SafetyNet
- Ensure testing records are up to date and accessible for auditing

## 4.5 Workers / Students

- Ensure the equipment is in good working order, well maintained and checked in accordance with the checklist
- Ensure that the emergency units are clear of obstructions and within 10 seconds of hazards
- Check test is completed in accordance with testing schedule and documented
- If the shower/eyewash station is defective, tag as “Out of Service” and notify the workshop / laboratory manager or supervisor and report to Facilities Management who are responsible for organising repairs.
- Report any hazard/incident using SafetyNet

## 5 Types of system

Emergency showers and eyewash stations provide on-the-spot decontamination. They allow workers to flush away hazardous chemicals that can cause injury. The types of system found at the University are detailed below:

The types of system found at the University are detailed below:

### 5.1 Safety showers

Safety showers also known as deluge showers are designed to flush the user's head and body. They should not be used to flush the user's eyes because the high rate or pressure of water flow could damage the eyes in some instances.

Safety showers are provided to wash off hazardous chemicals that may be splashed on the skin. Large volumes of water should be used to wash away contaminants and it may be necessary to remove contaminated clothing.

Safety showers can also be used effectively in extinguishing clothing fires or for flushing contaminants off clothing.



### 5.2 Eyewash and eye/facewash stations

Eyewash stations are located in laboratories and workshops to flush the eyes and face area if hazardous chemicals are splashed into them. In the event of hazardous chemicals splashing in the eyes, the stream of water from the spray should be directed into the eye for a period of 15 minutes before seeking medical attention.

A variety of eyewash units exist. Units are divided into installed/plumbed and portable units (see section 5.5 for portable units).

Plumbed units must have a 30-psi water supply. Flow is to be provided to both eyes simultaneously and at a velocity low enough to injure the eyes. Plumbed and self-contained units must perform as follows:

- Eyewash: 0.4 gpm for 15 minutes;
- Eye/face wash: 3 gpm for 15 minutes

The difference between the eye and eye/face wash is the size of the nozzle and spray pattern. The unit has to be installed between 33 inches and 45 inches above ground level and 6 inches away from the wall. There must be enough room to allow the eyelids to be held open with the hands while the eyes are in the flushing water stream.

Since the nozzles face upward to operate properly, dust and other contaminants could fall into the openings clogging them or providing a breeding area. Therefore, the nozzles have to be protected in such a way as to not require a separate movement to remove them when the unit is activated.



### 5.3 Combination units

This name refers to equipment that shares a common plumbing fixture. Any of the fixtures such as shower, eyewash, and eye/face wash or drench hose may be in this combination, but most commonly it refers to a shower and an eyewash station.

A combination unit has the ability to flush any part of the body or all of the body. It is the most protective device and should be used wherever possible. This unit is also appropriate in work areas where detailed information about the hazards is lacking, or where complex, hazardous operations involve many chemicals with different properties. A combination unit is useful in situations where there are difficulties handling a worker who may not be able to follow directions because of intense pain or shock from an injury.



### 5.4 Drench hoses

Hand-held drench hoses are supplemental devices that are designed to support emergency showers and eyewashes, but cannot be used instead. They consist of a flexible hose connected to a flushing fluid supply and used to provide fluid to irrigate and flush face and body areas. Drench hoses are useful in cases where the user is in the prone position or to reach areas of the face and body inaccessible to the fixed stream of a deluge shower or eye wash unit. They should provide a flow rate of at least 3 gpm for 15 minutes.



### 5.5 Eyewash bottles

Personal eyewash equipment can be used to support plumbed or self-contained eyewashes, but may not replace them. They are regarded as secondary or supplemental eyewash stations and do not meet the Australian Standard.

They are portable and permit immediate flushing of contaminants or small particles. The main purpose of eyewash bottles is to supply immediate flushing until the injured person can get to a primary eyewash station that provides a full 15 minute flow. These personal eyewash stations should be placed in proximity to a worker's area for immediate flushing.



Eyewash bottles can be very difficult for the user to handle, especially when alone and when both eyes have been exposed. (e.g., holding the eyelids open while handling the unit is awkward). Also, one bottle cannot flush both eyes simultaneously. Since the fluid supply lasts for only a short period of time, the bottle may not be able to wash the eyes sufficiently.

**NOTE:** All personal wash units (eyewash bottles), must be checked monthly by the user for the expiration date and to determine if it has been used. Dispose of any opened or eyewash bottles that have use by dates that have expired. The expiry date of the fluid should be printed permanently on the unit.

## 6 Training

All workers/students who might be exposed to a chemical splash must be trained by their department or lab supervisor as part of their induction on the following:

- The specific location of the units serving that area.
- How to properly activate and use the specific type of system.
- Use of the eyewash station in the event of an eye injury - Individuals should be instructed to hold the eyelids "open" and roll the eyeballs continuously so fluid will flow on all surfaces of the eye and under the eyelid seek medical attention. For specific treatment for the chemical concerned - refer to the SDS.

**NOTE:** People may not always be able to flush their eyes on their own because of intense pain. Nearby helpers should be prepared to assist with holding the eyelids open. Other helpers may need to assist with keeping the person under the flushing fluid for at least 15 minutes.

- Use of the safety shower in the event of a chemical spill onto their body. Individuals should be instructed to remove all contaminated clothing including footwear and socks/stockings while under the shower when cross



Figure 1 Flushing eyes

contamination has occurred. Have someone assist with clothing removal when possible. An assistant may use a fire blanket or uncontaminated article of clothing as a shield to provide privacy for someone who needs to remove their clothes while under an emergency shower, and for body coverage while seeking medical attention.

- Flush body for a minimum of 15 minutes, seek medical attention. For specific treatment for the chemical concerned – refer to the SDS.

It should never be assumed that workers are already aware of the proper procedures. Written instructions should be made available to all workers and others and posted beside the emergency shower and eyewash station. Part of the instructional process should include a "hands-on" drill on how to find equipment.

The wearing of contact lenses can be dangerous because chemicals can become trapped under a contact lens. Any delays caused by removing contact lenses in order to rinse eyes could result in injury. Training should include instruction in contact lens removal.

## **7 Responsibility and frequency of testing**

It is important to understand that routine inspection involving “activation or flushing” and “flow testing” are different procedures that are performed by different people and occur at different intervals.

### **7.1 Routine inspection**

AS 4775-2007 states that plumbed showers and eyewash equipment “shall be activated weekly for a period long enough to verify operation and ensure that flushing fluid is available”. This weekly interval may be varied on the basis of a documented risk assessment.

The standard notes that the intent behind this is to ensure that “there is a flushing fluid supply at the outlet of the device, to clear the supply line of any sediment build-up that could prevent fluid from being delivered to the outlet of the device and to minimize microbial contamination due to sitting water.”

The frequency of testing practice varies across Australian universities with most conducting their routine inspections either weekly or monthly. Based on risk assessment, a monthly inspection routine has been prescribed as adequate to ensure that safety showers and eyewash stations supply clean, potable water and are in proper working order. However, faculties / departments may deem that in situations where they are working with very corrosive chemicals with high splash potential, a weekly or even daily check would be advisable. This is to be determined by the faculty or department.

Activation and flushing should be done by workshop/laboratory technical officers.

*NOTE: Whatever the frequency of testing, it is essential that a systematic and verifiable testing routine of all safety showers and eyewash stations in your area of responsibility is in place.*

### **7.2 Flow testing**

Annual flow testing and inspections are to be conducted on all emergency safety showers and eyewash stations at the University to ensure that they:

- are in proper working condition;
- are in compliance with AS 4775; and ANSI Z358.1

Annual flow testing and inspections shall be conducted by a registered plumber appointed by Facilities Management in consultation with the faculty/ school or division to ensure that testing does not interfere with teaching/research tasks and will be subject to the all restrictions imposed on those areas where the emergency shower equipment and eyewash stations are located.

## **8 Local routine inspection and testing**

### **8.1 Procedure**

Routine inspections are most effectively conducted by two people.

Check all associated equipment and fittings for serviceability and ensure clear access to the shower/eyewash station.

Depending on the style of test sock, one person will position the test sock under or around the shower head (Figure 2) or eyewash station (Figure 4). A step ladder may sometimes be necessary to get within reach the showerhead.

Place the other end of the test sock inside the bucket (refer Figure 3).

The second person then operates the shower / eyewash station release valve (refer Figure 2). The valve is designed so that the flushing liquid flow remains on without the use of the operators' hands.

Equipment should be activated for a period long enough to verify operation and ensure that flushing fluid is available and clean. This flushing helps clean out any rust, scale deposits, or bacteria that may accumulate and cause additional injury.

After evidence of clear water flow, shut off valve to terminate the test. Drain the bucket and clean up any water spills that may cause slip hazards.

Record the date of the test and name of person conducting the test on the check sheet as required in the [Managing the Risk of Plant Guidelines](#).



Figure 2 Testing shower



Figure 4 Testing Eyewash station



Figure 3 Testing sock

## 8.2 Equipment required

For internal eyewash/showers (even those equipped with a proper drain), use a bucket to collect drain water and drain in nearby sink.

For flushing of shower units, use a shower tester sock and bucket (refer Figure 2). Shower test socks (a vinyl sleeve that fits over the shower head and directs water into a bucket for easy clean-up) and buckets can be purchased online.

Eyewash stations or safety showers installed in poor drainage areas may deter scheduled flushing. If such location is unavoidable, a bucket or drum mounted on a dolly or roller may be used to collect water during routine flushing. The person testing the showers and eyewashes should turn them to full flow to allow residues and other substances accumulated in the lines to be pushed out and washed away. If the showers and eyewashes are not tested at full flow, they may become so clogged that they are not useful when needed.

## 8.3 Routine inspection checklist

### 8.3.1 Safety showers

The routine inspection should include, at a minimum, the following:

- Ensure that access to the shower is clear of any obstructions.
- Ensure the shower is within 10 seconds of hazard.
- Visually inspect the shower to ensure that there are no broken parts, pipe damage, leakage etc. This should be done prior to testing in order to avoid further damage to the unit and risk of injury to users and yourself.
- Activate unit. Ensure that the water flow is effective and continuous.
- Operate the shower for long enough to verify operation and relieve the unit of any rust and other pipe build-up. Flush the unit until the water runs clear.
- Check that the unit remains activated without the use of the operator's hands. Valve actuator must stay on unless manually turned off and must activate water flow in one second or less.
- Ensure each shower has a highly visible emergency sign.

- Ensure that problems identified during the inspection are reported immediately.
- Document test with dates and initials on the testing record located either adjacent to the unit or in a central area where several units are located on the same floor.

### 8.3.2 Eyewash units

The routine inspection should include, at a minimum, the following:

- Apply procedures in section 8.3.1.
- Verify that protective eyewash covers are properly positioned, clean, intact and operate properly when activated.
- Check that aerators are in good condition and free of corrosion.
- Activate eyewash unit - flush pipes: check that the spouts are clean and that the water flow is effective and continuous. Operate the eyewash for long enough to verify operation and ensure that flushing fluid is available not injurious to the user's eye or face.
- The unit must deliver low-pressure “soft” flow to both eyes so it does not injure the open eyes.
- Controlled flow of flushing fluid must be provided to both eyes simultaneously.



Figure 5 Eyewash station inspection

### 8.3.3 Drench hose units

The routine inspection should include, at a minimum, the following:

- Apply procedures in section 8.3.1.
- Visual inspection of the unit. Look for leaks, hose damage, and proper placement of protective covers.

### 8.3.4 Combination units

Conduct a separate inspection of the emergency shower and the eye/face wash units. Single documentation will apply to the eyewash and shower combination units.

- Apply procedures in sections 8.3.1 and 8.3.2.

## 8.4 Recording inspection results

Different faculties/ divisions will adopt different methods of recording results. A check sheet to mark off that the routine inspection has been undertaken should be located adjacent to the shower / eyewash station. An example of a monthly checklist is found in Appendix 1 and 2.

Where there are multiple safety showers and eyewash stations located in close proximity within a laboratory or on a floor, then a centrally located testing schedule can be used. An example of a checklist for multiple showers and eyewash stations is found in Appendix 3.

The departments/ school's technical officer is responsible to ensure that a testing record is maintained in close proximity to all units. Report if missing or needs replacing.

## 8.5 Failure

If the shower/eyewash station fails to operate, or if defective apparatus is found during the test, action is to be taken to have the problems fixed as a matter of priority. Tag the shower/eyewash station as Out of Service (for further information refer [Managing the Risk of Plant Guidelines](#)) and notify the workshop / laboratory manager or supervisor and report to Facilities Management who are responsible for organising repairs.

## 9 Annual flow rate testing

Facilities Management is responsible for annual testing for all units to ensure compliance to AS 4775. At the successful completion of each inspection, record the date and initial the compliance tag that is permanently attached to each shower or eyewash unit. An example of a compliance tag is shown in Figure 6.

A testing checklist (see Appendix 4) has been developed to verify that the following conform to the standard.



Figure 6 Compliance Tag

### 9.1 Actuator valves

The actuator valves should be easy to locate and activate, open the valve in one second or less. Once open the valve must stay on without the use of hands until they are intentionally turned off. The shower actuator shall not be more than 1733mm above the level on which the user would stand.



## 9.2 Fittings

Plumbing connection fittings should be:

- Combination shower/eyewash 25mm
- Shower 25mm
- Eye/face wash 20mm
- Eyewash 12mm

### 9.2.1 Flushing water

- Water must be able to maintain its flush for a minimum of 15 minutes. If there are requirements for longer flushing than this, shall be clearly indicated by prominent signage.
- Water should be tepid (between 15° and 35°C). If there is a possibility of water freezing or boiling (over 38°C) adequate protection must be introduced.
- Safety showers and eyewash units must meet the minimum flow rate required (see 9.2.2 below).
- Eyewash units need to be capable of washing both eyes simultaneously at a velocity low enough to be non-injurious to the eyes.
- If shut off valves are installed for maintenance purposes, they need to be secure from any unauthorised shut off.

If flushing water accelerates a possible chemical reaction, this should be identified in a Risk Assessment prior to undertaking the work and further discussions with Facility Management.

### 9.2.2 Minimum flow rates

All units should be plumbed at 210kPa and must be able to maintain a period of not less than 15 minutes.

- Showers 75.7 litres per minute
- Eye/face wash 11.4 litres per minute
- Drench hose 11.4 litres per minute
- Eyewash 1.5 litres per minute

Rates can be tested with a flow meter or by other means of measuring flushing fluid flow such as timing to fill a bucket. Results are to be recorded on the 'Maintenance Checklist - Safety shower flow rate'.

### 9.2.3 Flushing pattern

The spray pattern for the shower shall have a minimum diameter of 508mm (20 inches) at 1524mm (60 inches) above the floor surface, and the centre of the spray pattern shall be located at least 406 mm from any obstruction. The flushing fluid shall be substantially dispersed throughout the pattern.

**NOTE:** Dimensions for shower equipment are shown in Figure 7.

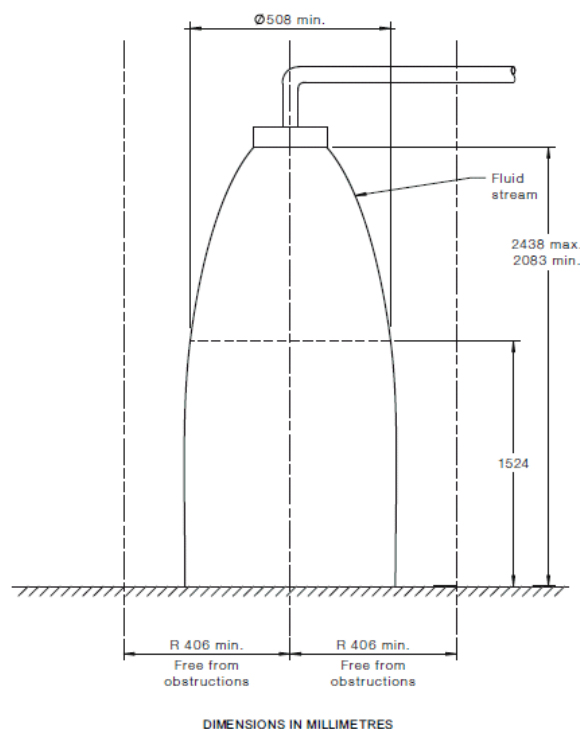


Figure 7 Shower dimensions

A test gauge for making determination of a suitable eyewash pattern shall be a minimum 102 mm in length with two sets of parallel lines equidistant from the centre (see Figure 8). The interior set of lines shall be 32 mm apart and the exterior lines shall be 83 mm apart. Place the gauge on top of the stream of the eyewash. The flushing fluid should cover the areas between the interior and exterior lines when the gauge is lowered not more than 38 mm below the fluids peak.

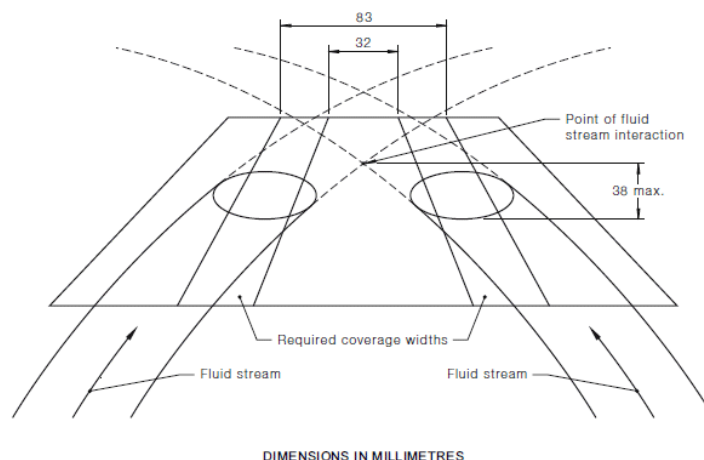


Figure 8 Eyewash test gauge

### 9.2.4 Signage

The location of each emergency shower or eyewash station shall be well illuminated and be identified with a highly visible sign complying with AS1319 – 1994 Safety Signs for the Occupational Environment visible throughout the area served by the equipment. The sign should be in the form of a symbol that does not require workers to have language skills to understand it. The location should be well lit.



Figure 9 Examples of signage

## 10 Related documents and references

- AS1319 – 1994 Safety Signs for the Occupational Environment
- AS4775 – 2007 Emergency Eyewash and Shower Equipment
- AS/NZS 2243.1:2005 Safety in laboratories - Planning and operational aspects
- AS/NZS 2982: 2010 Laboratory Design and Construction
- [Managing the Risk of Plant Guidelines](#)
- ANSI Z358.1 - 2014 American National Standard for Emergency Eyewash and Shower Equipment

## 11 Version control table

Version Control	Date Released	Approved By	Amendment
1	April 2013	WHS Manager	New document
2	June 2016	WHS Manager	Rebrand/reformat. Added FMD responsibility for Russell Vale. Changed Staff to Workers/Students. Reworded sections 5 and 7/8. Updated references. Updated Appendix 4 checklist to match FMD record. Removed Appendix 5 as it duplicates Figure 6.

**Appendix 1: Testing Checklist for an Individual Safety Shower - Example**

Safety showers must be tested monthly.  
Please initial after each test.

Room:

Year:

<b>Date of Testing</b>	<b>Tested By</b>
January	
February	
March	
April	
May	
June	
July	
August	
September	
October	
November	
December	

**Appendix 2: Testing Checklist for an Individual Eyewash Station - Example**

Eyewash stations must be tested monthly.  
Please initial after each test.

Room:

Year:

<b>Date of Testing</b>	<b>Tested By</b>
January	
February	
March	
April	
May	
June	
July	
August	
September	
October	
November	
December	

### Appendix 3: Testing Checklist for Multiple Safety Showers and Eyewash Stations - Example

	Location	SS	EW	SS	EW	SS	EW	SS	EW	SS	EW	SS	EW	SS	EW	SS	EW	SS	EW	
	January																			
	February																			
	March																			
	April																			
	May																			
	June																			
	July																			
	August																			
	September																			
	October																			
	November																			
	December																			

EW = Eyewash

SS = Safety Shower

## Appendix 4: Annual Testing Minimum Performance Criteria/Checklist

- 1) Emergency equipment shall be inspected annually to ensure conformance with AS 4775 (Sect. 6.8)
- 2) Shower must deliver minimum of 75.7 litres per minute of flushing fluid at 210kPa, with the flushing fluid being substantially dispersed throughout the pattern which shall be a minimum diameter of 508 mm when measured at 1524 mm above the surface on which the user stands. (Sect. 6.2, 6.5, 9.1 (b) 9.3)
- 3) Shower operating control valve shall remain open without the use of the operator's hands. The valve shall be simple to operate and go from closed to fully open in one second or less and not be located more than 1733 mm above the level on which the user stands. (Sect.6.3, 7.2, 8.2,9)
- 4) Eye wash equipment shall deliver flushing fluid to both eyes simultaneously flow at rate not less than 1.5 litres per minute at 210kPa. The flushing fluid streams should rise to approximately equal heights and should cover the areas between the interior and exterior lines of the test gauge when lowered not more than 38 mm below the fluids' peak (Sect. 7.1, 9.1(c), 7.3.1)
- 5) Nozzles shall be protected from airborne contaminants. (Sect 7.1)
- 6) Eye/Face wash equipment must deliver flushing fluid to eyes simultaneously at a minimum of 11.4 litres per minute at 210kPa. The flushing fluid streams should rise to approximately equal heights and should cover the areas between the interior and exterior lines of the test gauge when lowered not more than 38 mm below the fluids' peak. (Sect. 8.1, 8.3, 9.1 (d))
- 7) Eye/Face wash valve shall be designed so that the flushing fluid flow remains on without the use of the operator's hands. The valve shall be simple to operate and go from closed to fully open in one second or less. (Sect.7.2 and 8.2)
- 8) Drench hose shall be simple to operate and shall go from closed to fully open in one second or less. The valve shall be corrosion resistant and must deliver a controlled flow of flushing fluid at a velocity low enough to be non-injurious. (Sect. 11.3.1 and 11.3.2)
- 9) Emergency equipment location shall be identified with a highly visible sign complying with AS 1319 (Sect. 6.6, 7.4, 8.4, 9.4 and 11.3.3)
- 10) Deliver tepid flushing fluid. (Sect. 4.19)



Model														
Comments														
Testing tag is connected to unit and up to date														
Flushing fluid at tepid temperature														
Shower and eye wash control valve shall remain open.														
Eyewash dust covers are fitted and open automatically on operation														
Passed eyewash gauge test														
Minimum drench hose flow rate 11.3l/m														
Minimum eye/face wash flow rate 11.4 l/m														
Minimum eyewash flow rate 1.5 l/m														
Minimum shower flow rate 75.7 l/m														
Check Spray Pattern: 1524mm from the surface 50.8 cm diameter														
Flow of water starts within 1 second														
Designated by highly visible signage														
Department														
Room/Location														
Building														

Date:

Tested By:

UOW Unit/Company Details: